

**PROCESSOR  
252 SHEET 3  
DSP AUDIO**

**RECEIVER**

**SYNTH-VCO**

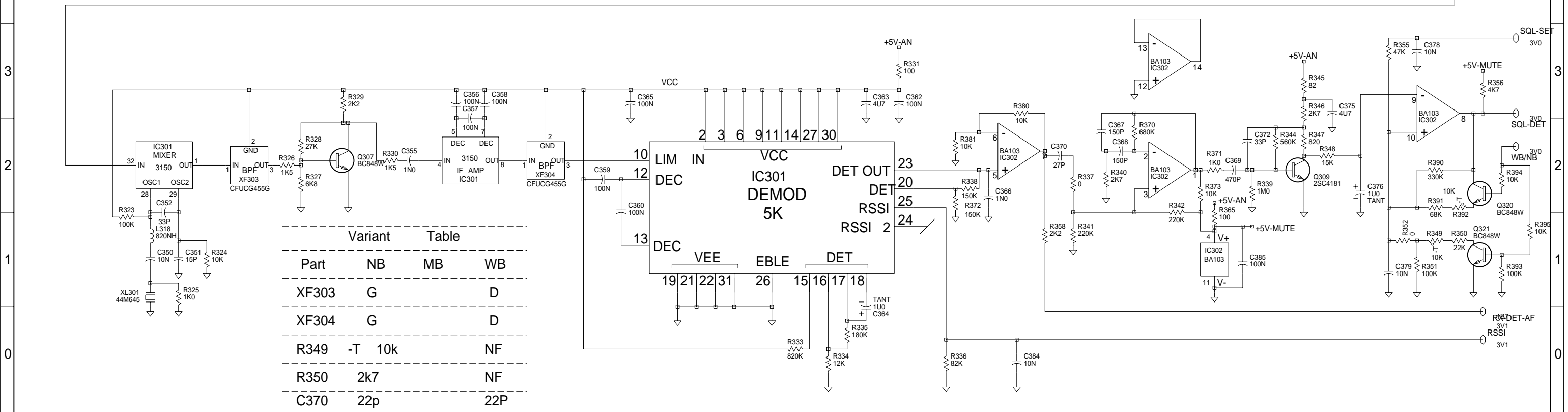
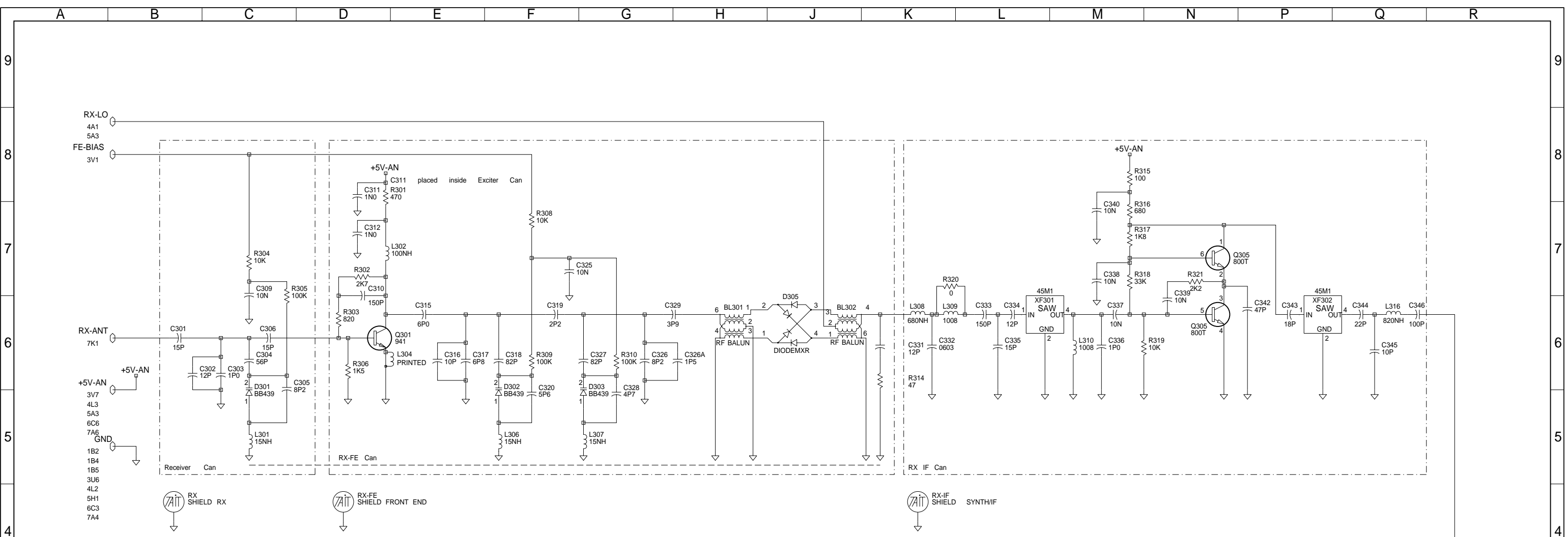
**POWER-AMP**

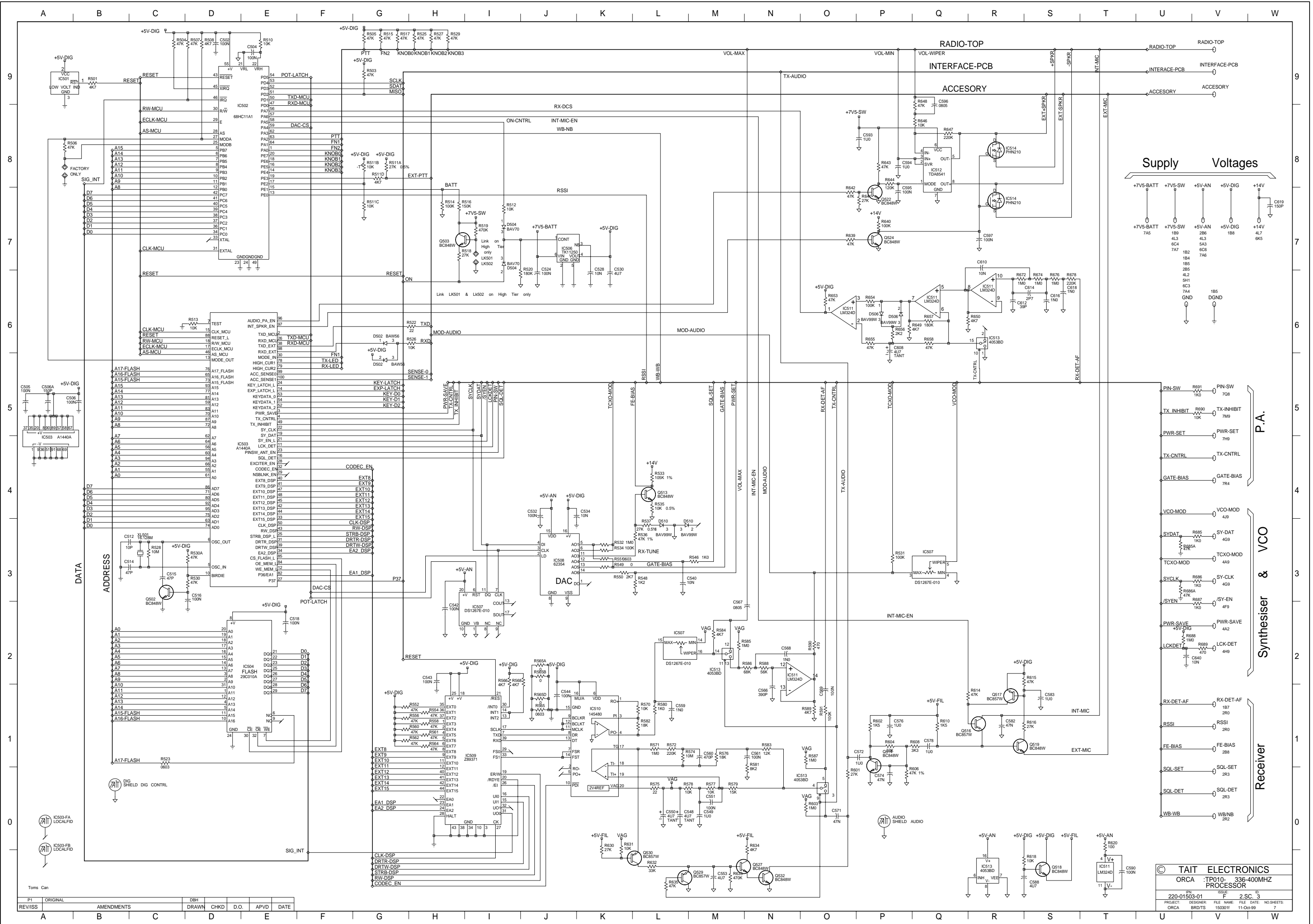
01F	CHANGE D301 M1809 TO MA4P1250	ECO	No.50-0411	TS		08-10-99
01E	SEALS TO .NC. REGEN. PLA & PLC	CCO	No.005	TS		05-10-99
01D	4 SPRING PINS NOW 356-01077-00	SMT.	CCO #1503-001	TS		14-09-99
01C	CHANGED PASTE TO SMALL TCXO			BRD		31-05-99
01B	500185 ROTATED C364 180 DEG TANT			BRD		05-03-99
08	UPDATED MUTE CIRCUITRY			DBH		
REV/ISS	AMENDMENTS	DRAWN	CHKD	D.O.	APVD	DATE



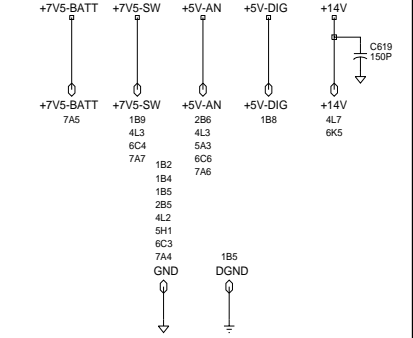
**Sub UHF**

© TAIT ELECTRONICS	
ORCA :TP010- 336-400MHZ	
SYSTEM DIAGRAM	
IPN: 220-01503-01	ISSUE: F
DESIGNER: ORCA	FILE DATE: 11-Oct-99
FILE NAME: BRD/TS	NO.SHEETS: 7

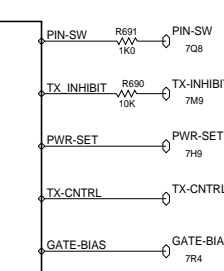




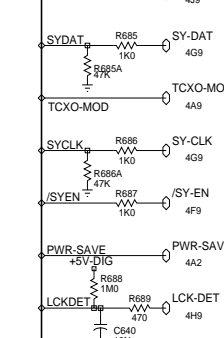
**Supply Voltages**



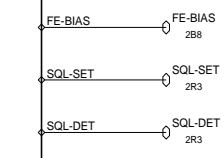
**P.A.**



**Synthesiser & VCO**

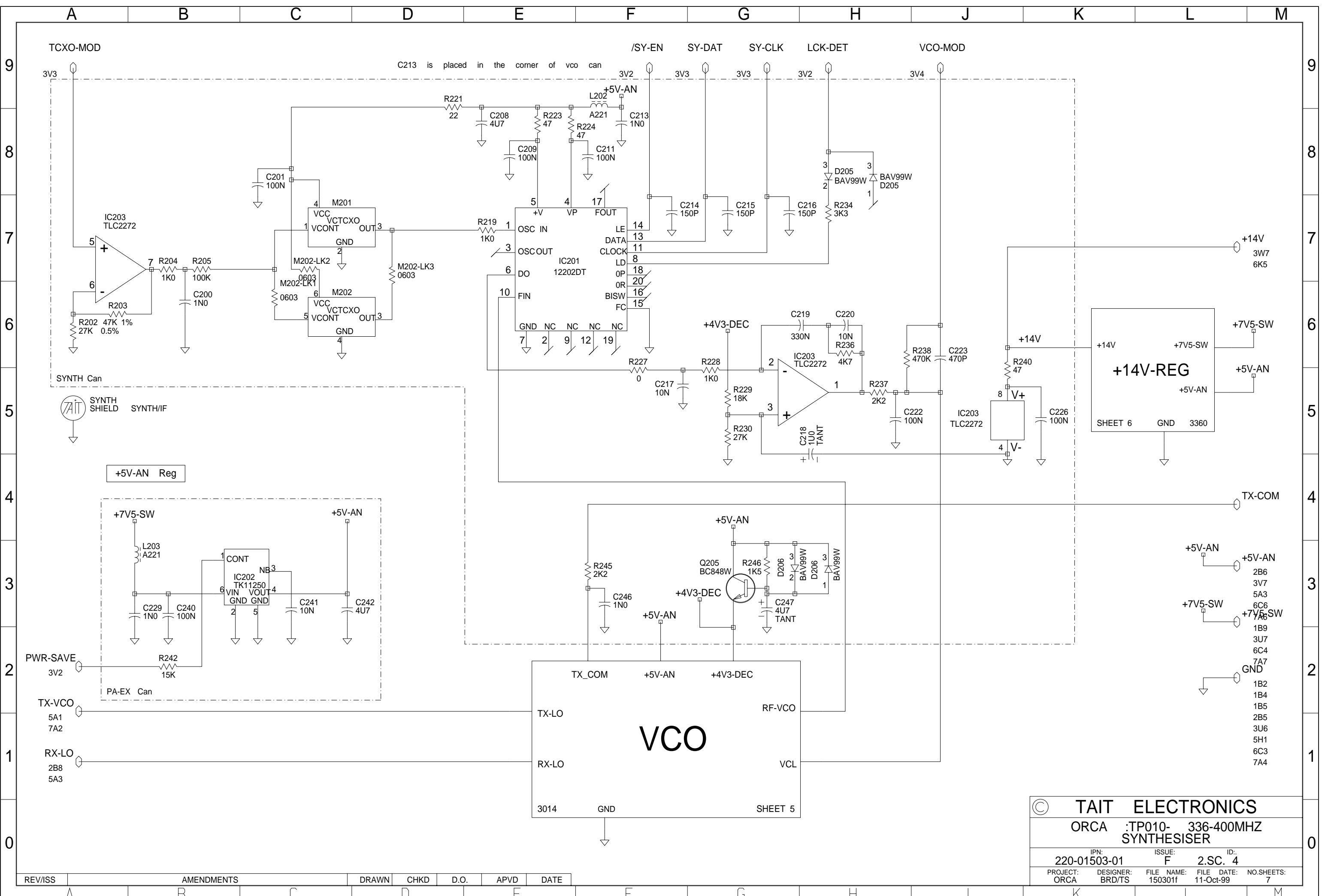


**Receiver**



© TAIT ELECTRONICS  
 ORCA :TP010- 336-400MHZ  
 PROCESSOR  
 220-01503-01 2 SC 3  
 PROJECT DESIGNER FILE NAME FILE DATE NO SHEETS  
 ORCA BRDTS 1503011 11-04-99 7

REV/ISS	ORIGINAL	AMENDMENTS	DRAWN	CHKD	D.O.	APVD	DATE
P1			DBH				



C213 is placed in the corner of vco can

**VCO**

3014 GND SHEET 5

TX-LO TX-COM +5V-AN +4V3-DEC

RX-LO RF-VCO VCL

**+14V-REG**

SHEET 6 GND 3360

+14V +7V5-SW +5V-AN

+5V-AN Reg

**PA-EX Can**

IC202 TK11250

CONT NB 3 VOUT 4 VIN 2 GND GND

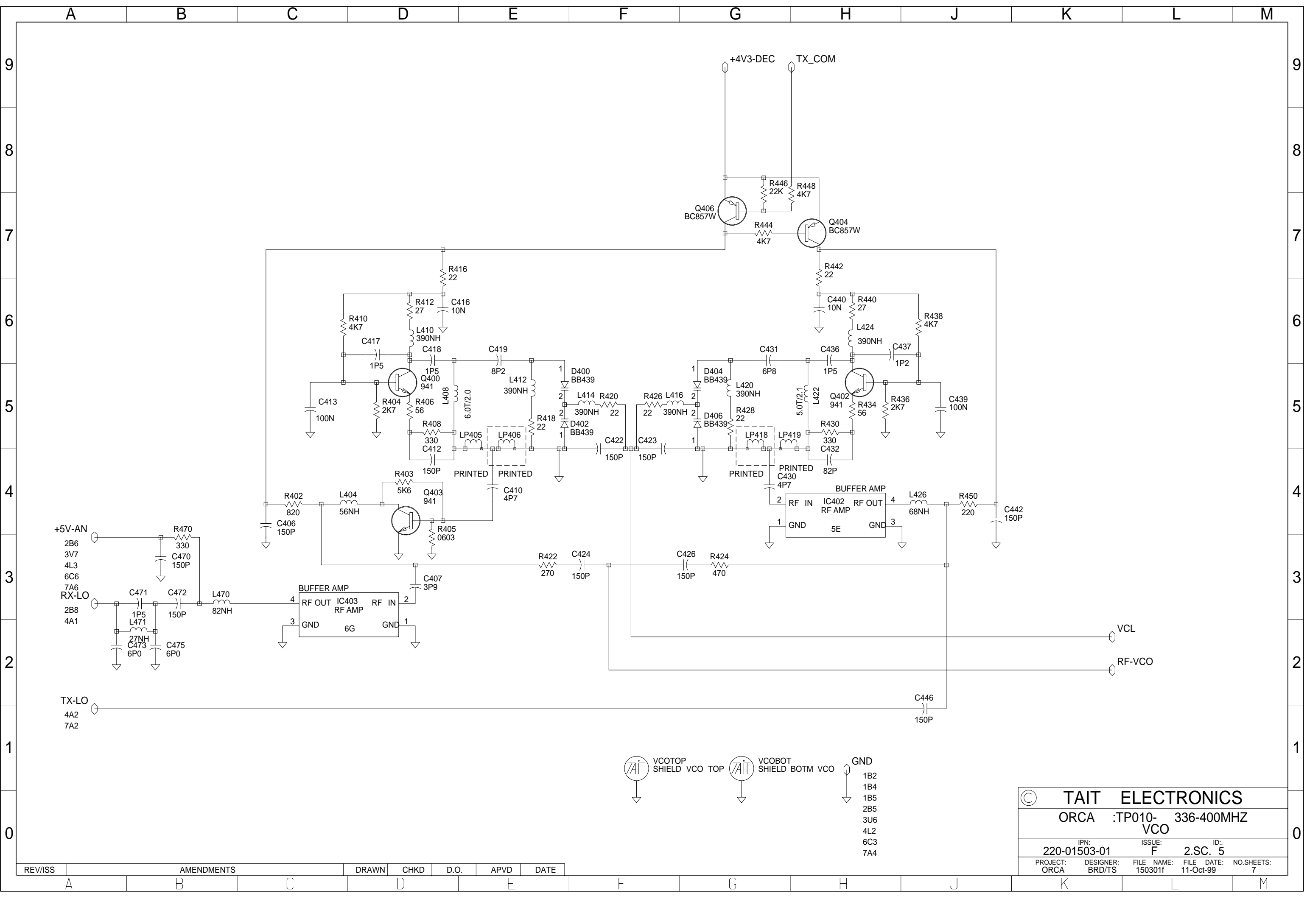
+7V5-SW +5V-AN

L203 A221 C229 1N0 C240 100N R242 15K

© TAIT ELECTRONICS				
ORCA :TP010- 336-400MHZ SYNTHESISER				
IPN:	ISSUE:	ID:		
220-01503-01	F	2.SC. 4		
PROJECT:	DESIGNER:	FILE NAME:	FILE DATE:	NO.SHEETS:
ORCA	BRD/TS	150301f	11-Oct-99	7

REV/ISS	AMENDMENTS	DRAWN	CHKD	D.O.	APVD	DATE

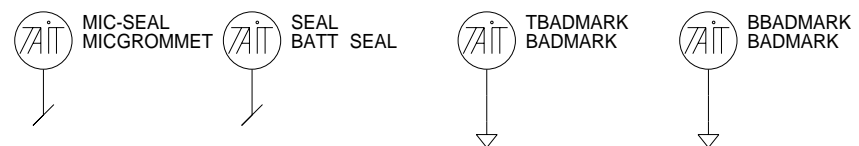
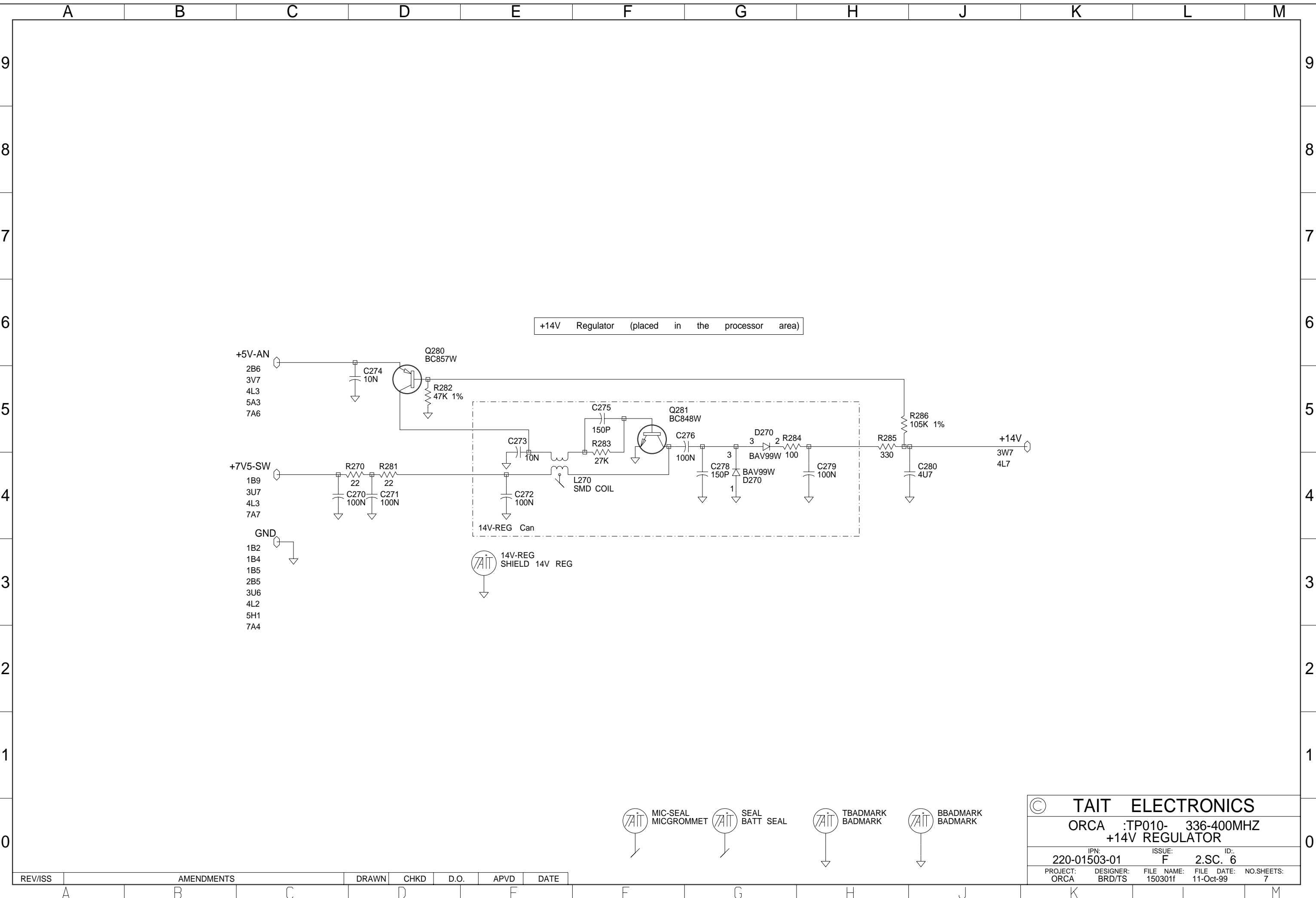
- +5V-AN 2B6
- +5V-AN 3V7
- +5V-AN 5A3
- +7V5-SW 6C6
- +7V5-SW 7A6
- +7V5-SW 1B9
- +7V5-SW 3U7
- +7V5-SW 6C4
- +7V5-SW 7A7
- GND 1B2
- GND 1B4
- GND 1B5
- GND 2B5
- GND 3U6
- GND 5H1
- GND 6C3
- GND 7A4



© TAIT ELECTRONICS  
 ORCA :TP010- 336-400MHZ  
 VCO  
 IPN: 220-01503-01 ISSUE: F ID: 2.SC. 5  
 PROJECT: ORCA DESIGNER: BRD/TS FILE NAME: 150301f FILE DATE: 11-Oct-99 NO.SHEETS: 7

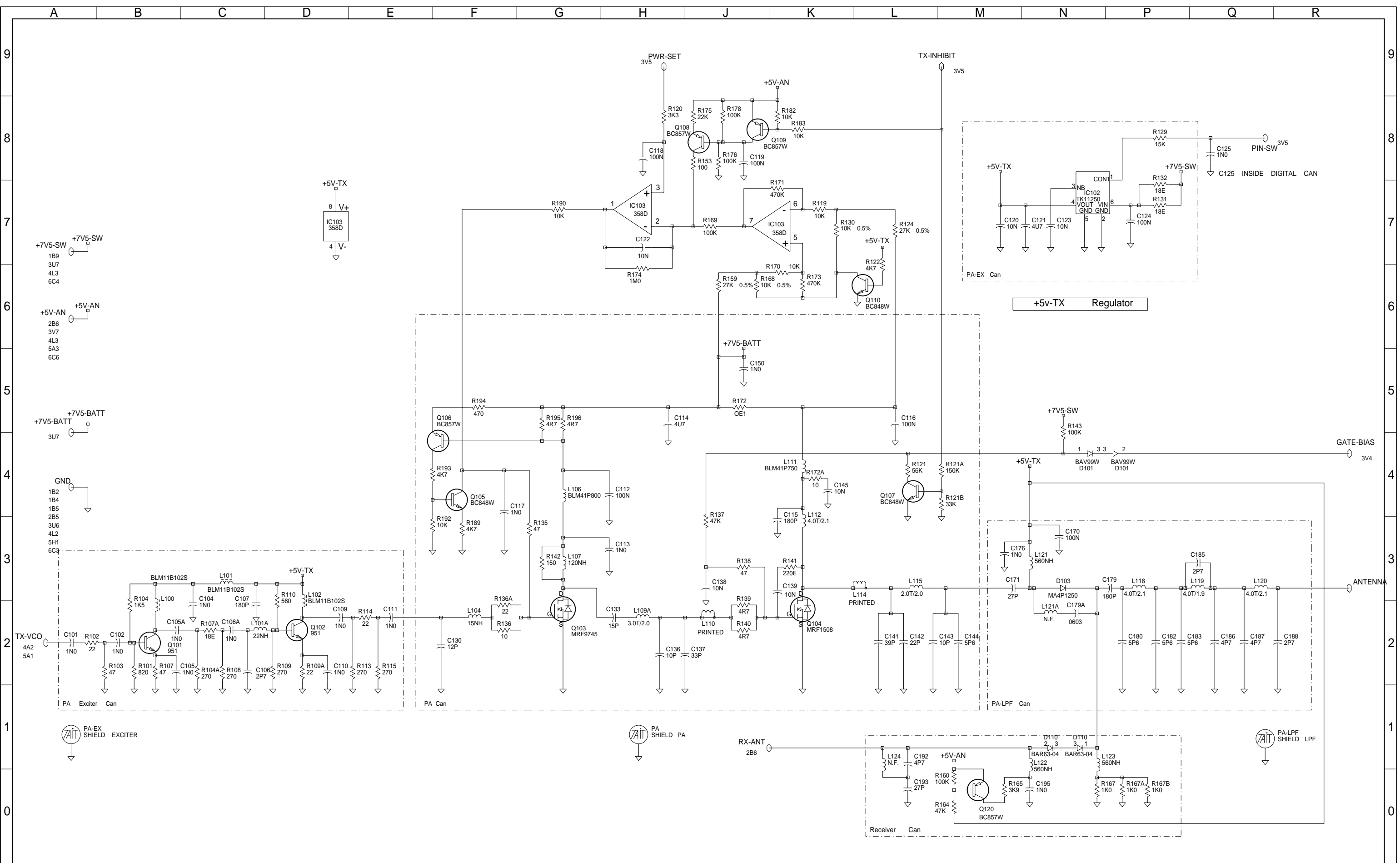
REV/ISS	AMENDMENTS	DRAWN	CHKD	D.O.	APVD	DATE

- VCOTOP SHIELD VCO TOP
- VCOBOT SHIELD BOTM VCO
- GND
  - 1B2
  - 1B4
  - 1B5
  - 2B5
  - 3U6
  - 4L2
  - 6C3
  - 7A4



© TAIT ELECTRONICS				
ORCA :TP010- 336-400MHZ +14V REGULATOR				
IPN: 220-01503-01		ISSUE: F		ID: 2.SC. 6
PROJECT: ORCA	DESIGNER: BRD/TS	FILE NAME: 150301f	FILE DATE: 11-Oct-99	NO.SHEETS: 7

REV/ISS	AMENDMENTS	DRAWN	CHKD	D.O.	APVD	DATE
---------	------------	-------	------	------	------	------



© TAIT ELECTRONICS  
 ORCA :TP010- 336-400MHZ  
 LOWCOST T3010

IPN: 220-01503-01	ISSUE: F	ID: 2.S.C. 7
PROJECT: ORCA	DESIGNER: BRD/TS	FILE NAME: 150301f
	FILE DATE: 11-Oct-99	NO.SHEETS: 7

03A						
REV/ISS	AMENDMENTS	DRAWN	CHKD	D.O.	APVD	DATE